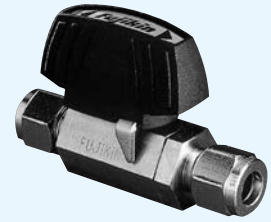


# [3.92 MPa] in 4 Handle Colors

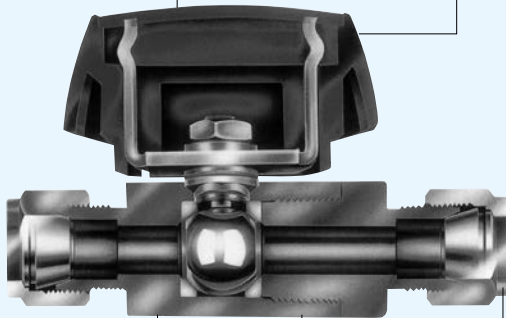


## Features

1. Compact design with integrated tube fitting
2. Easy-to-operate handle profile
3. One-touch handle attachment and removal
4. Choose handle color (black, red, blue, or green).  
※ Colors other than black are sold as options.

One-touch handle attachment and removal

Easy-to-operate handle profile



Compact design with integrated tube fitting

Size markings

※ Valve can be opened and closed even when the plastic handle has been removed.

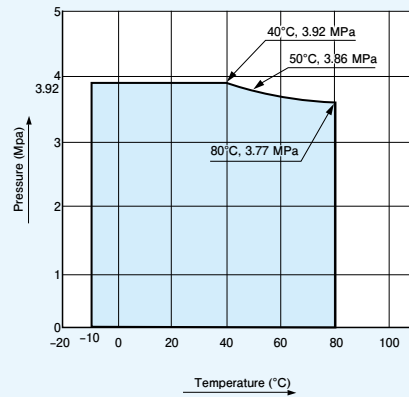
## Technical Data

Working Pressure (MPa)	Temperature (°C)
3.92	-10 to +80

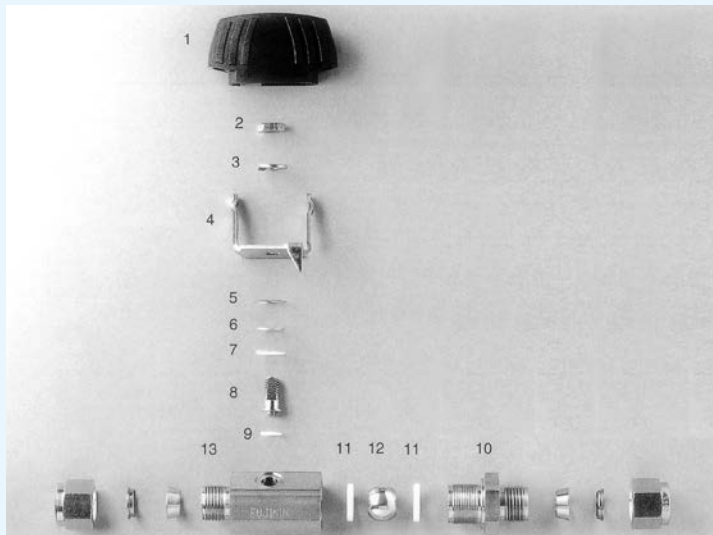
## Applicable Fluid

Air, nitrogen gas, inert gas like helium, and non-corrosive gas and liquid.

## Temperature and Pressure Rating



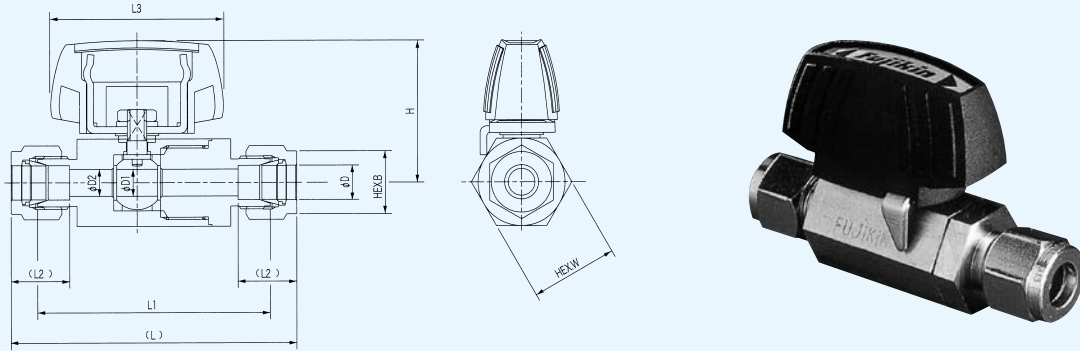
## Materials



No.	Description	Materials
1	Handle	PBT
2	Nut	SUS 304
3	Spring washer	SUS 304
4	Handle stay	SUS 430
5	Disc spring	SUS 304
6	Gland washer ※	SUS 304
7	Packing ※	G-PTFE
8	Stem ※	SUS 316
9	Packing ※	G-PTFE
10	End cap ※	SUS 316
11	Seat ※	G-PTFE
12	Ball ※	SUS 316
13	Body ※	SUS 316

※ Indicates part that comes into contact with liquid (gas) in valve.

## New V-Lok Type



### ●Dimensions (mm size)

UNIT (mm)

Nominal Diameter D	Orifice Diameter D1	Hole Diameter D2	Face to Face Dimension		Pipe Connection Part L2	Height H	Handle Length L3	Across Flats B	Body Flats W	Cv Value	Ordering Numbers
			L	L1							
6	5	4.8	72.8	58	15.3	33	41	14	17	1.4	PUBV-94-6-V
8	7.5	6.4	77	62	16.2	40	50	16	21	3.5	PUBV-94-8-V
10	9	7.9	84.8	69.6	17.2	42	50	19	26	5	PUBV-94-10-V
12	9	9.5	90.2	70	22.8	42	50	22	26	5	PUBV-94-12-V

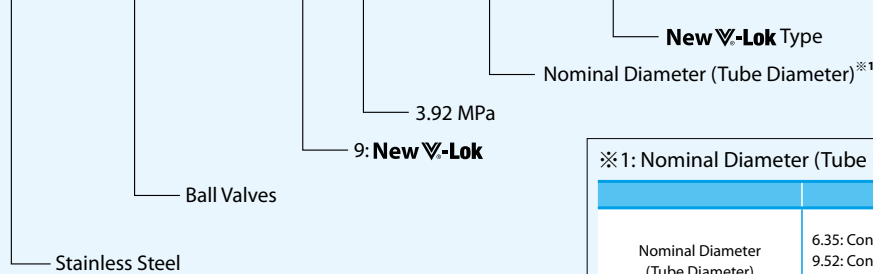
### ●Dimensions (inch size)

UNIT (mm)

Nominal Diameter D	Orifice Diameter D1	Hole Diameter D2	Face to Face Dimension		Pipe Connection Part L2	Height H	Handle Length L3	Across Flats B		Body Flats W	Cv Value	Ordering Numbers
			L	L1				in	mm			
6.35	5	4.8	72.8	58	15.2	33	41	9/16	14.3	17	1.4	PUBV-94-6.35-V
9.52	7.5	7.1	77.8	63	16.8	40	50	11/16	17.5	21	3.5	PUBV-94-9.52-V
12.7	9	10.4	90.2	70	22.9	42	50	7/8	22.2	26	5	PUBV-94-12.7-V

## Ordering Numbers

# P U BV - 94 - 6 - V



※1: Nominal Diameter (Tube Diameter)

	Inch Size	Millimeter Size
Nominal Diameter (Tube Diameter)	6.35: Connection part ø6.35	6: Connection part ø6
	9.52: Connection part ø9.52	8: Connection part ø8
	12.7: Connection part ø12.7	10: Connection part ø10 12: Connection part ø12